

Examples of written or verbal questions.

Set out on the following page are examples of the types of questions that your assessor might ask you when assessing you for recognition of prior learning in the competency: LMFFM2004B Apply sheet laminate by hand

Two boxes are to be covered in a plain coloured plastic laminate. The plastic laminate is to be laid on four vertical faces only.

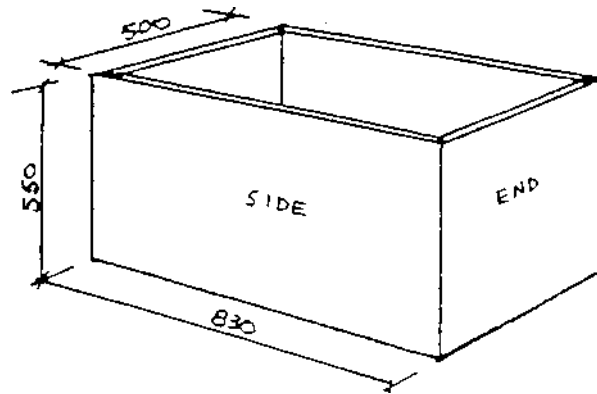
PLASTIC LAMINATE SHEET SIZES AVAILABLE

1800X900

2400X1200

3000X1200

3600X1200



Question 1.

From the stock sheet sizes listed, select the most suitable sheet size to cover two boxes as specified.

Question 2.

What types of glues can be used?

Question 3.

Make a checklist for the application and finishing of laminates

Question 4.

On the scale grid provided, draw a cutting pattern for the plastic laminate. Scale (1 : 20). Label and dimension all parts.

Q.4

